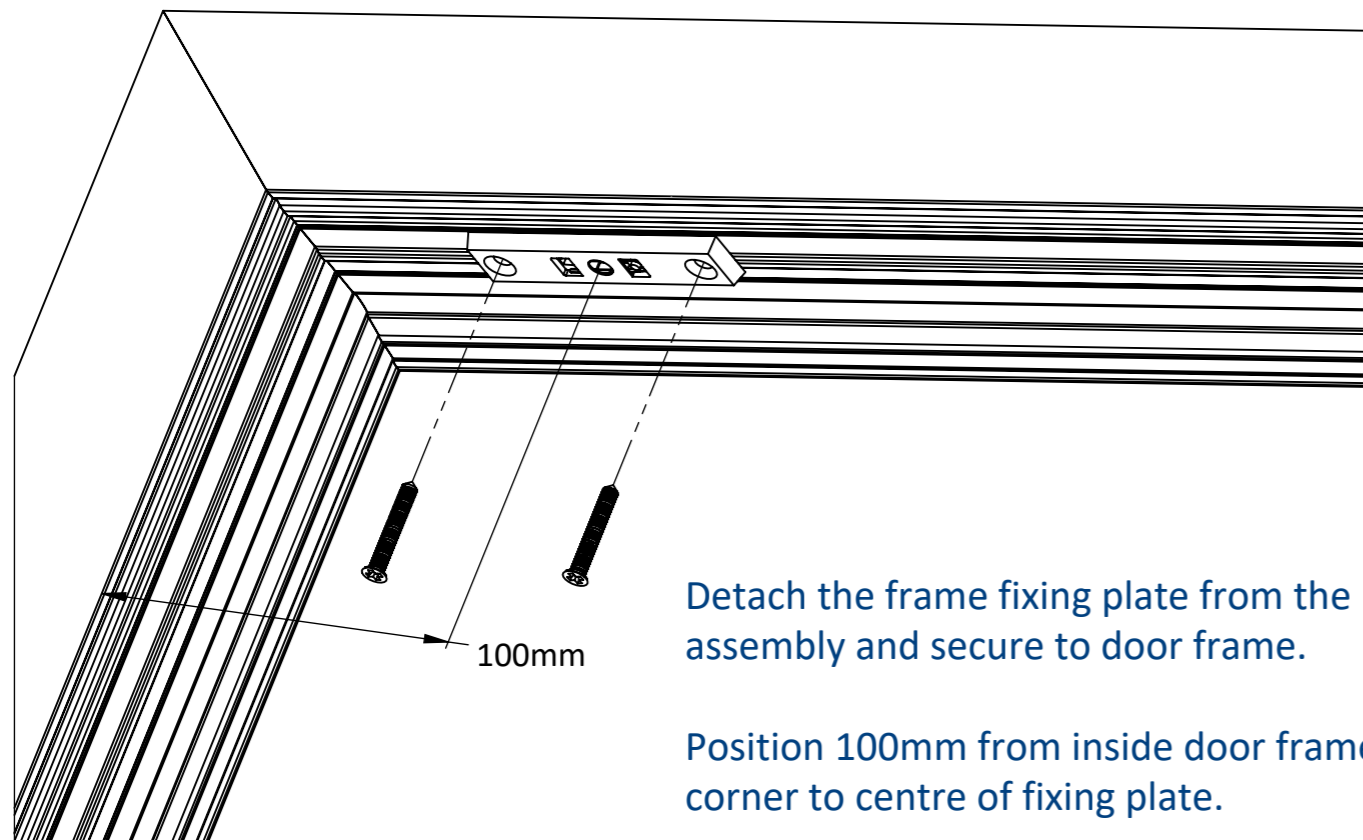


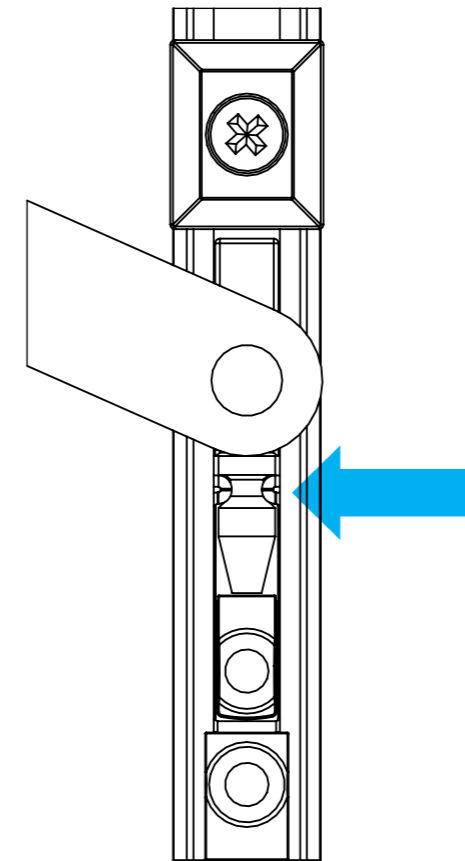
1



Detach the frame fixing plate from the assembly and secure to door frame.

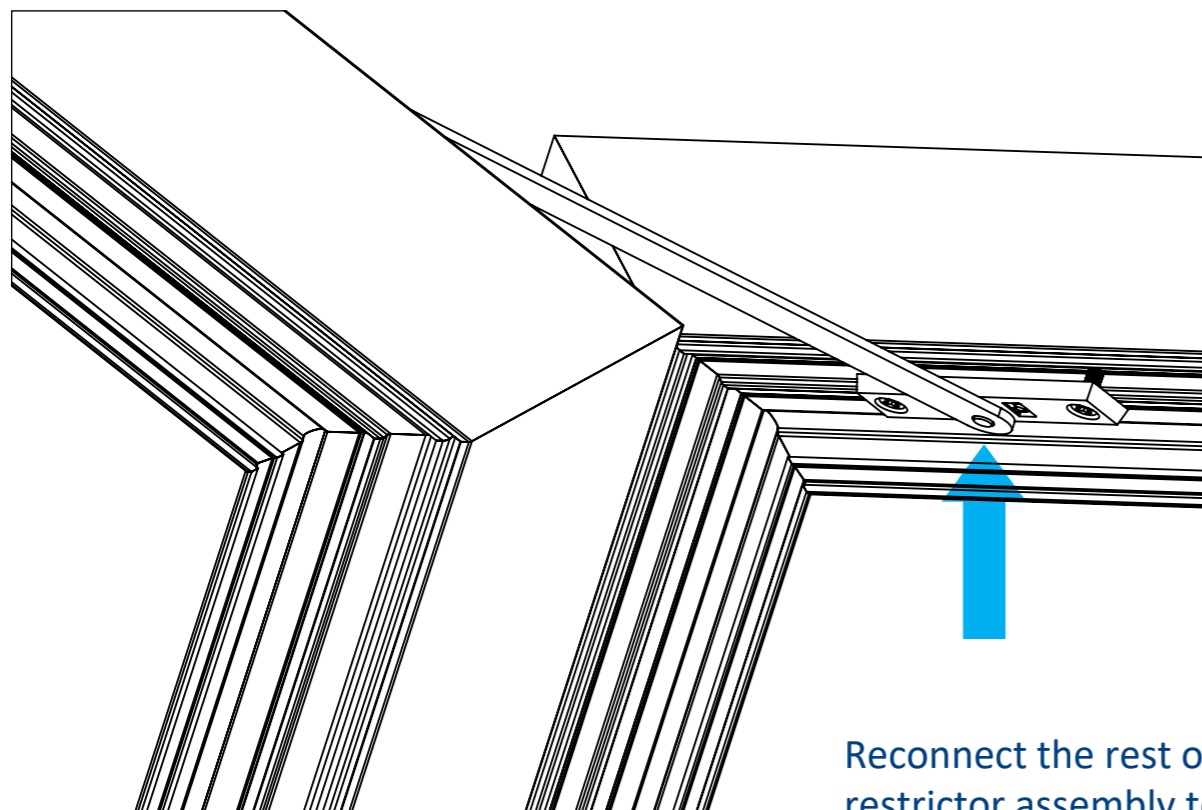
Position 100mm from inside door frame corner to centre of fixing plate.

2



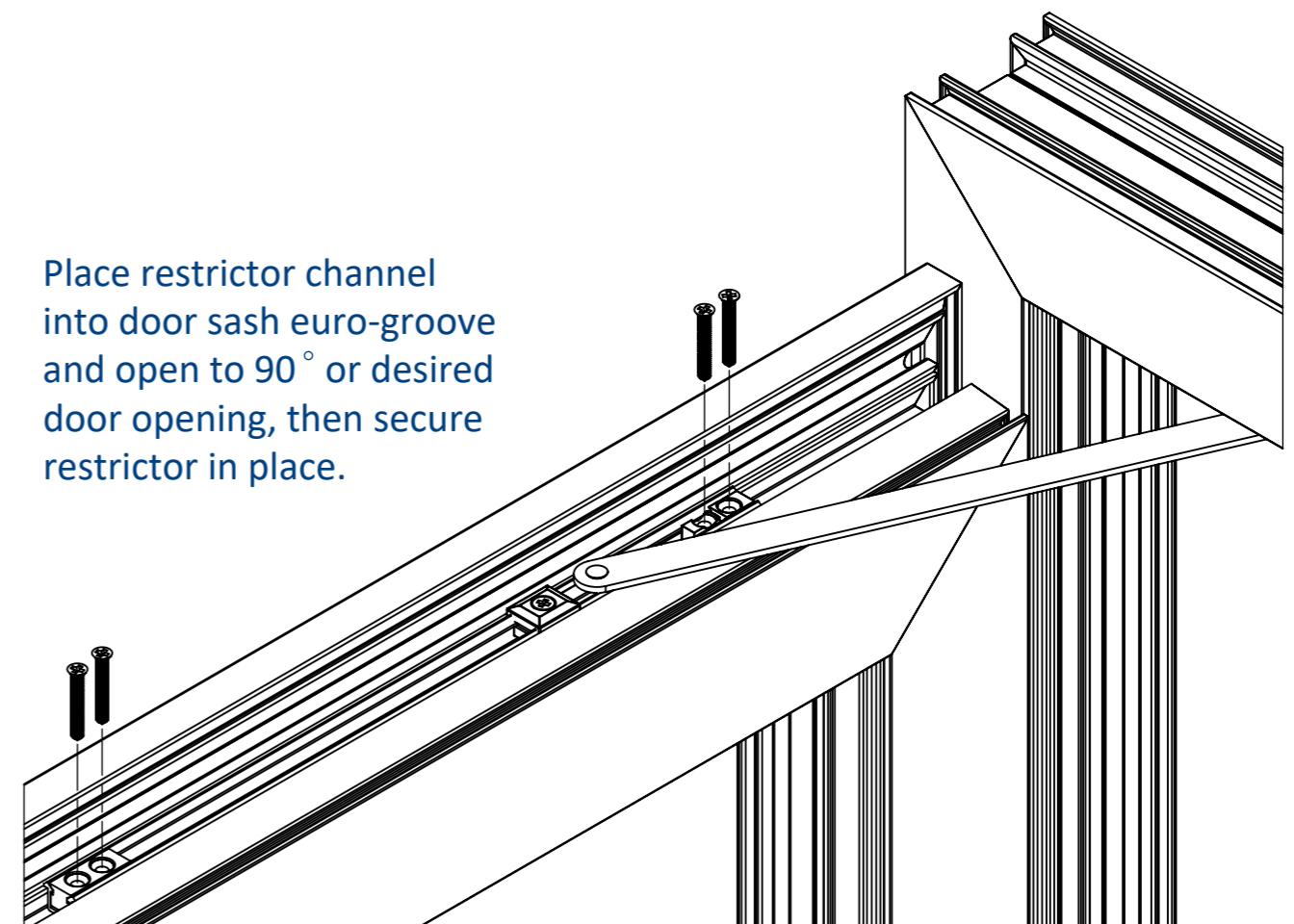
Ensure hold open pin is engaged into spring clip of restrictor.

3



Reconnect the rest of the restrictor assembly to the frame fixing plate.

4



Place restrictor channel into door sash euro-groove and open to 90° or desired door opening, then secure restrictor in place.